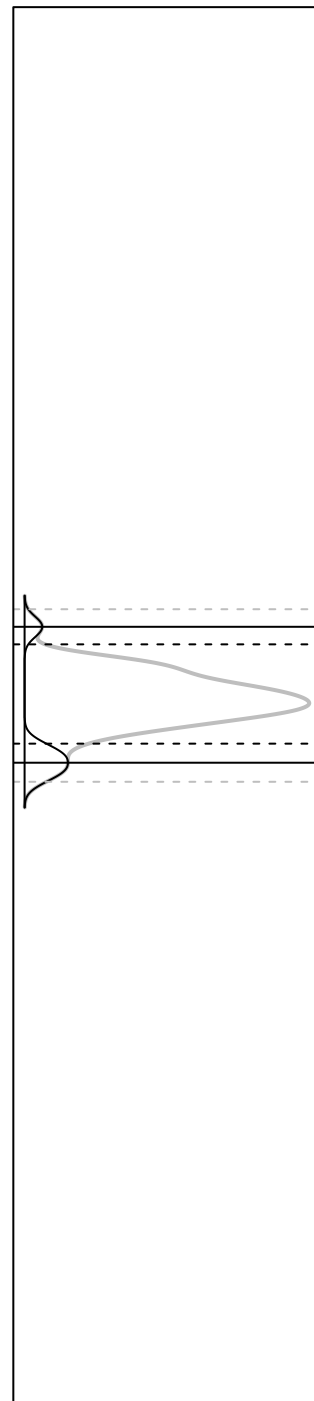
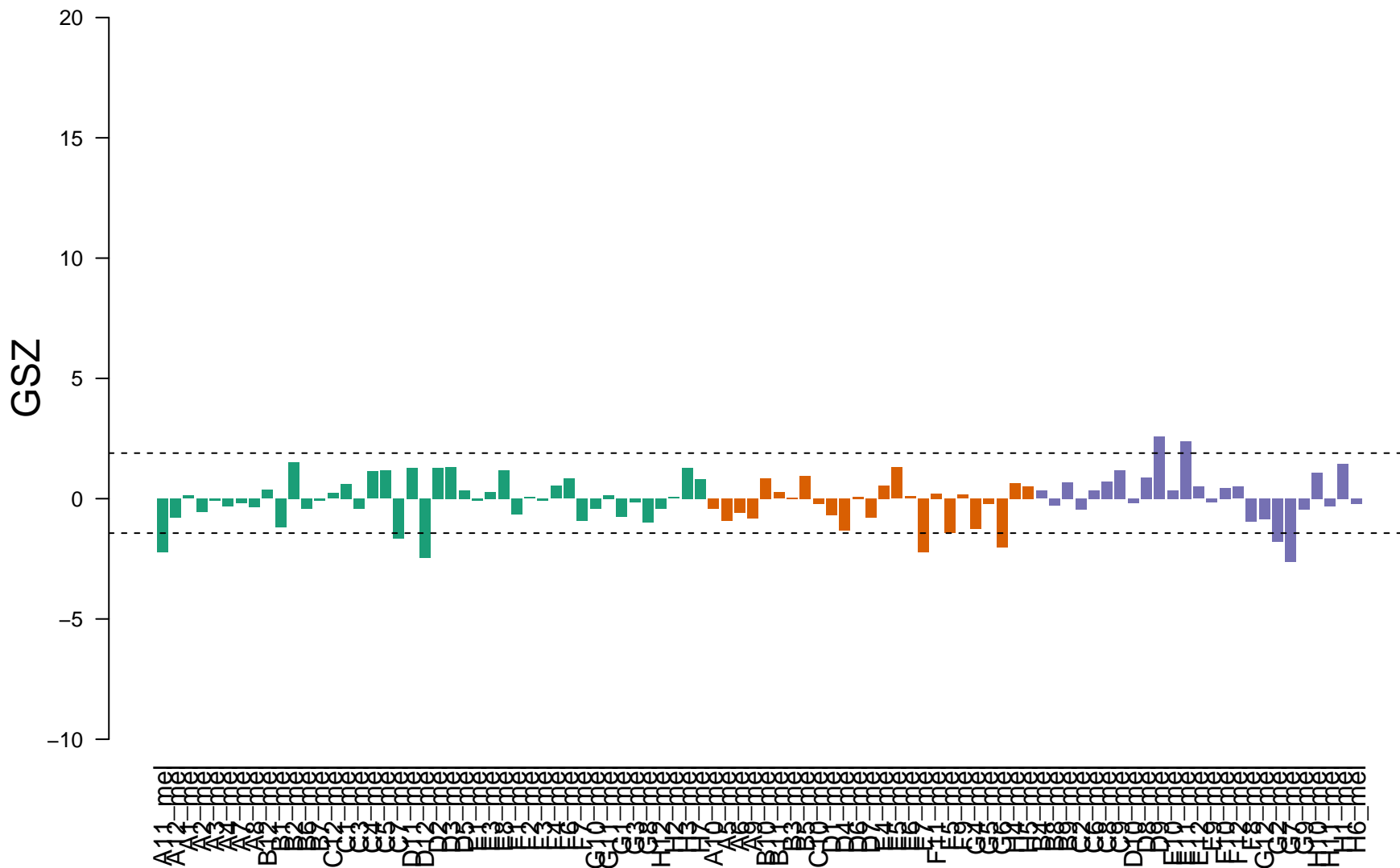
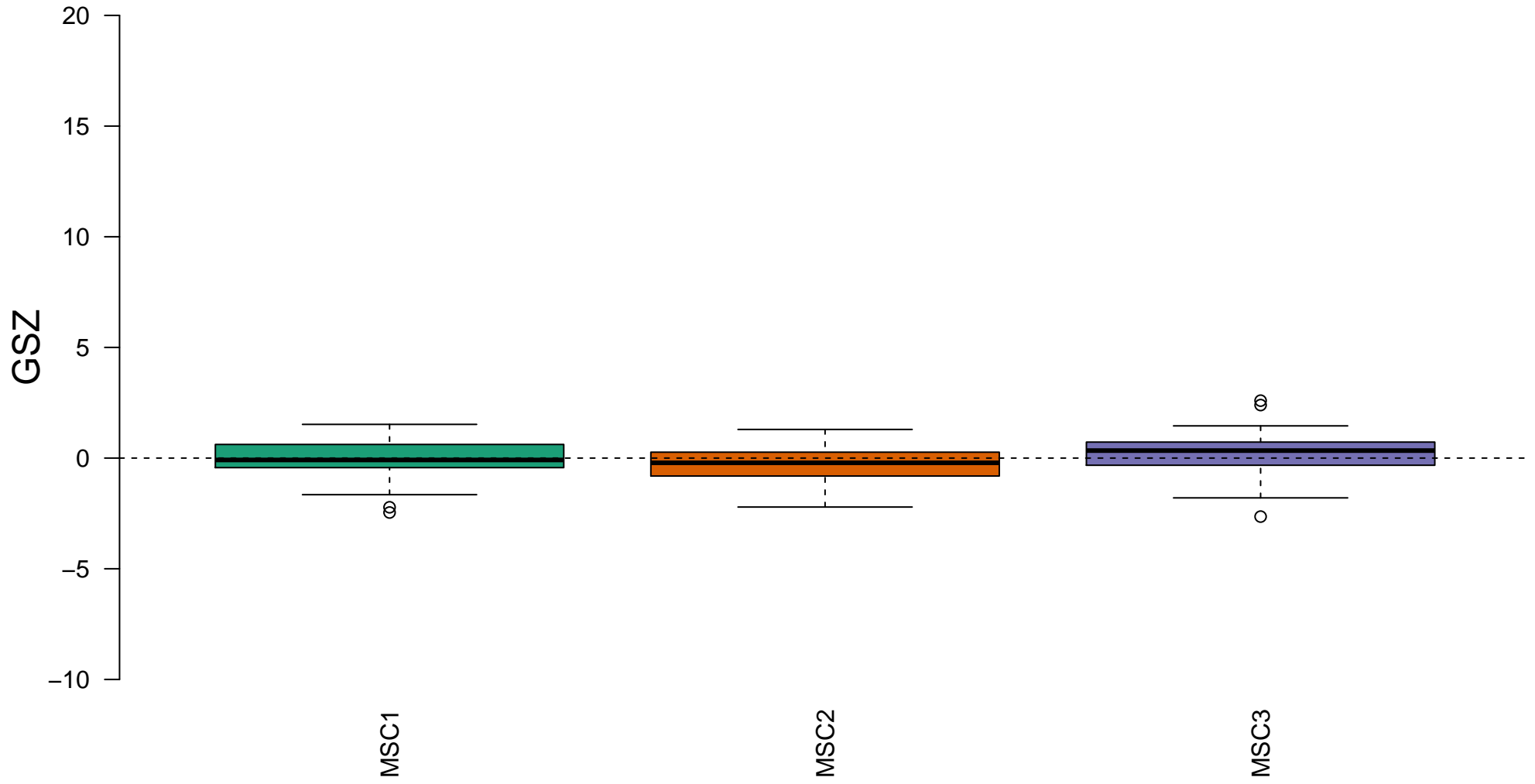


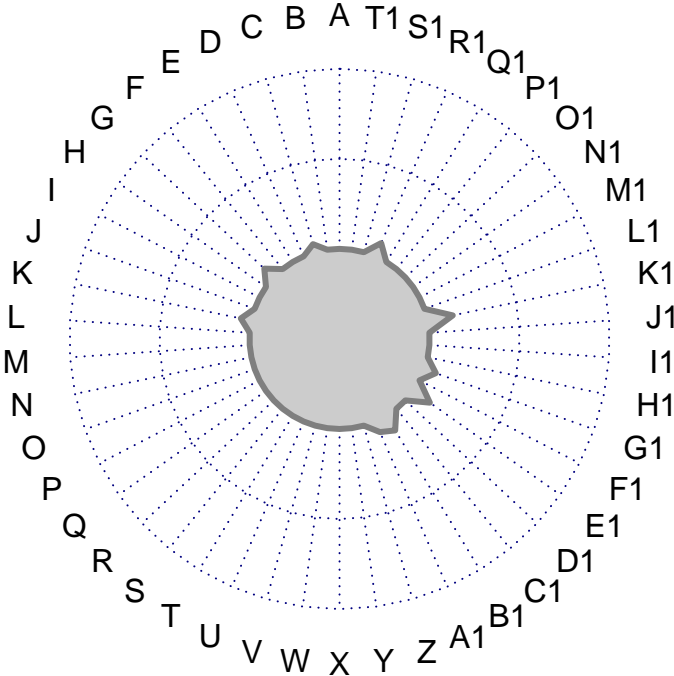
regulation of neuron differentiation



# regulation of neuron differentiation



Enrichment in overexpression spots



Enrichment in kMeans clusters

